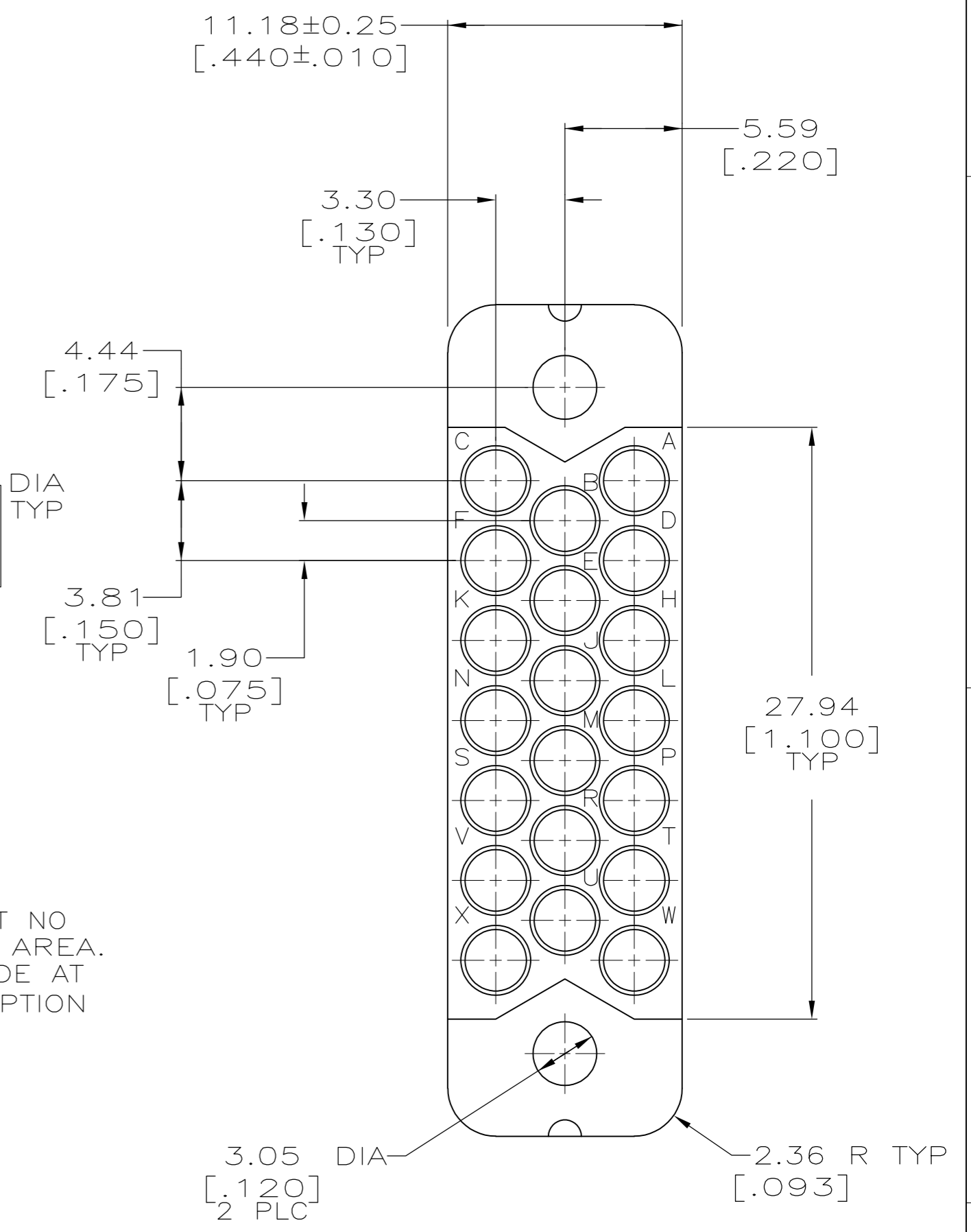
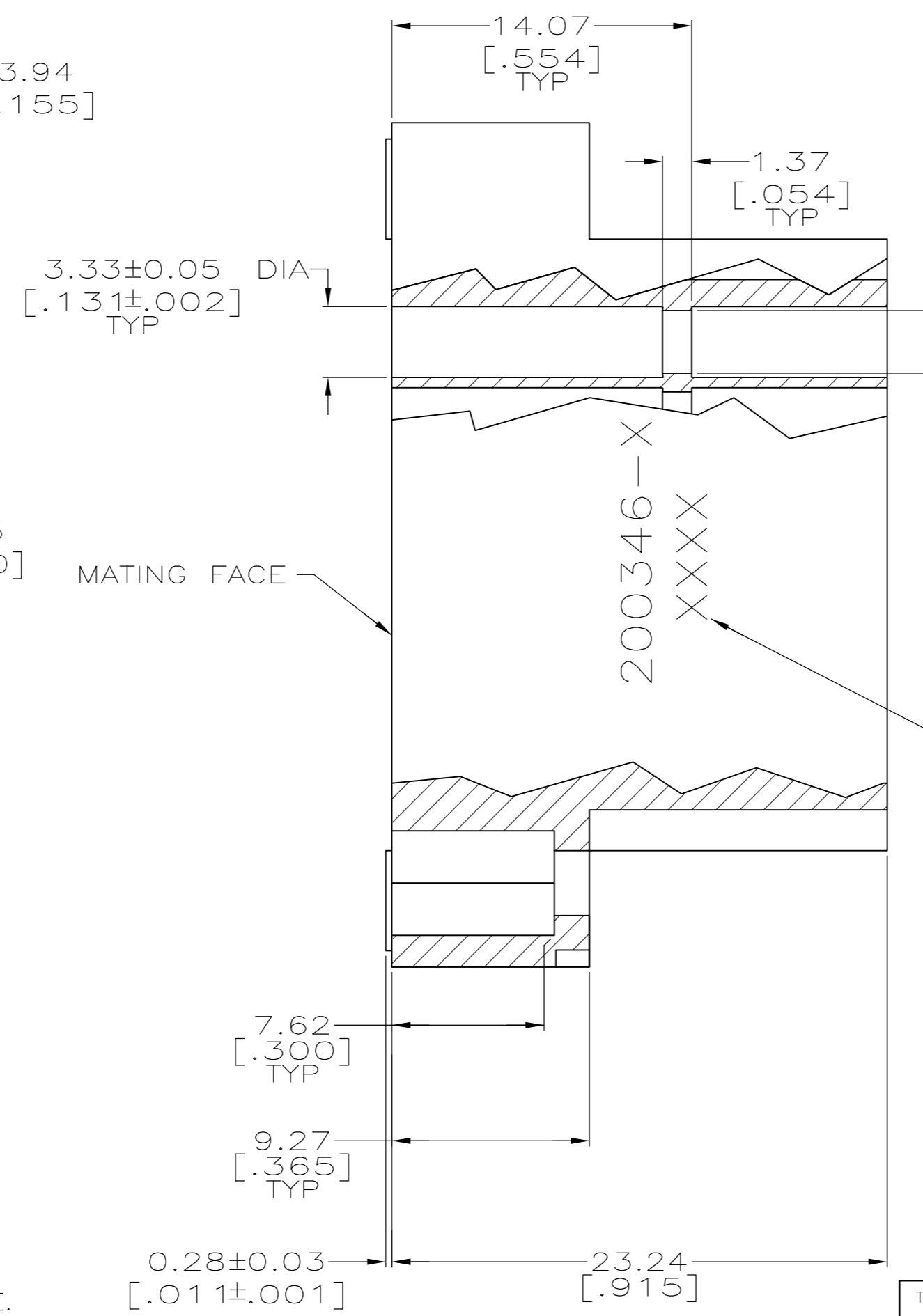
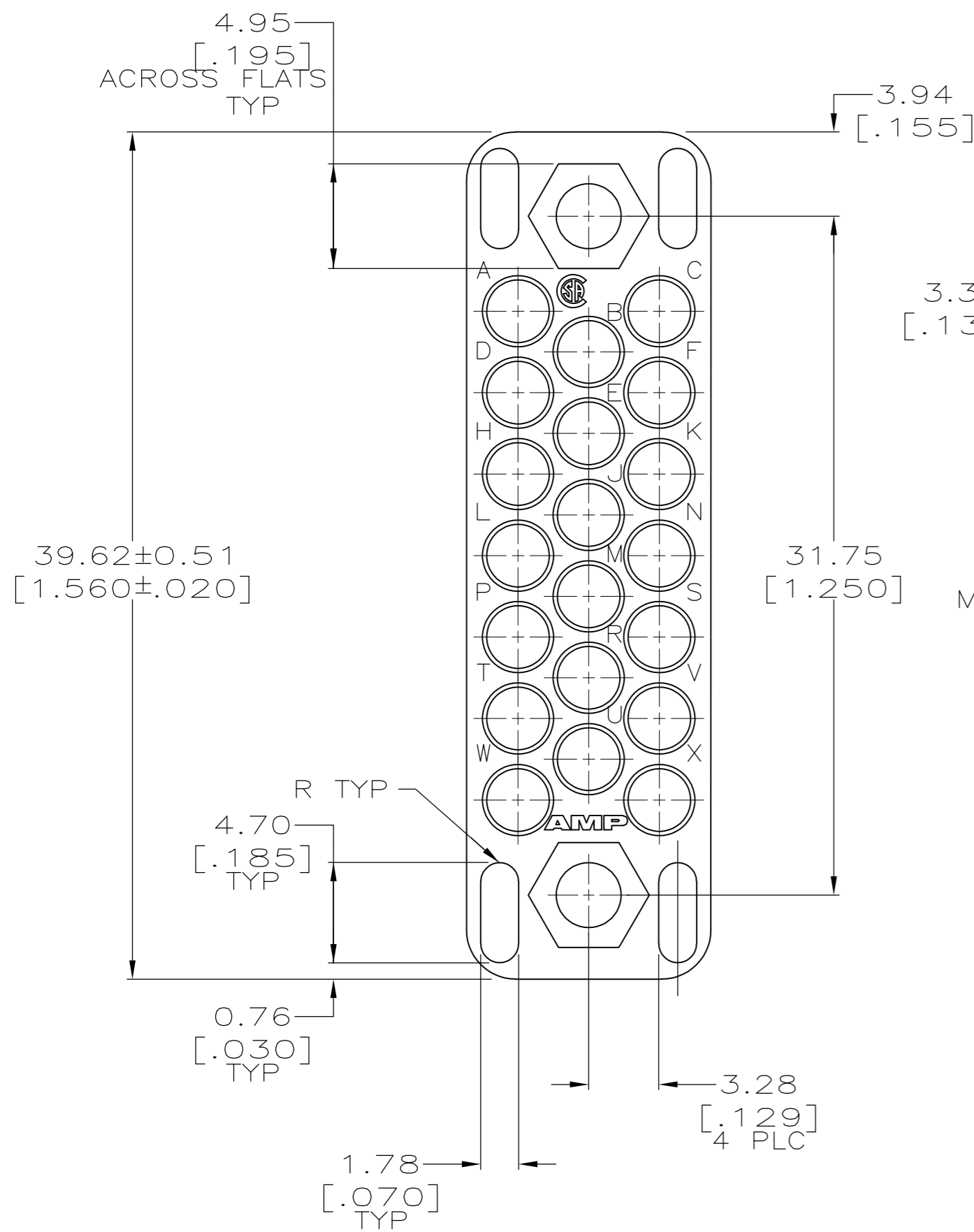
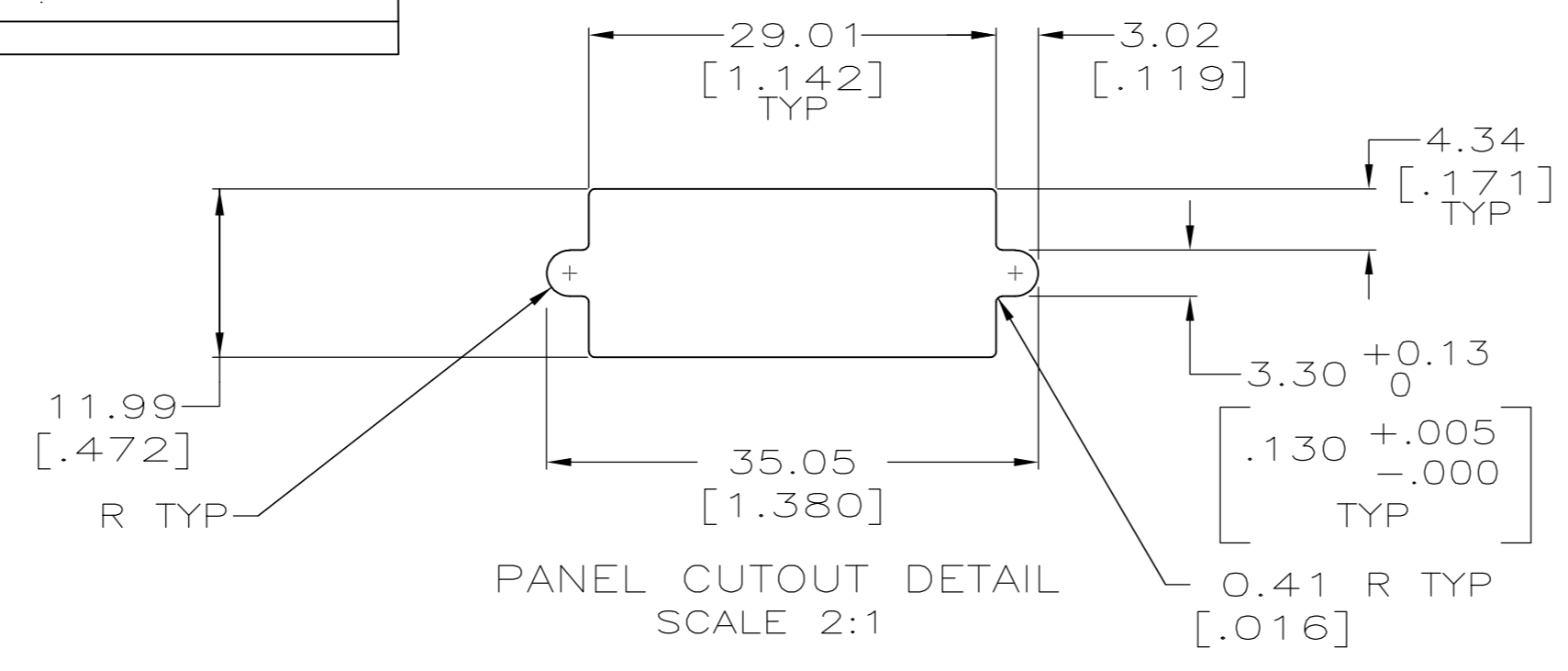


THIS DRAWING IS UNPUBLISHED. RELEASED FOR PUBLICATION
 © COPYRIGHT - By - ALL RIGHTS RESERVED.

REVISIONS					
P	LTR	DESCRIPTION	DATE	DWN	APVD
W1		REVISED PER ECO-16-004000	27SEP2016	NK	MZ



- 1 PHENOLIC PER MIL-M-14, TYPE CFG, BLACK.
- 2 DIALYL PHTHALATE PER MIL-M-14, TYPE SDG-F, BLUE.
- 3. WHEN MATING WITH BLOCK 201356, ACCOMODATES TYPE II, TYPE III+ OR TYPE VI #16 PIN OR SOCKET CONTACTS.

OBSOLETE	2	200346-4
	1	200346-2
MATERIAL		PART NUMBER

THIS DRAWING IS A CONTROLLED DOCUMENT.

DIMENSIONS: mm [INCHES]	TOLERANCES UNLESS OTHERWISE SPECIFIED: 0 PLC ± - 1 PLC ± - 2 PLC ± 0.13 [.005] 3 PLC ± - 4 PLC ± - ANGLES ± -	DWN C.REIFSNYDER 06 DEC 95 CHK R.STONE 27 FEB 96 APVD G.A.STEINHAUER 13 MAR 96 PRODUCT SPEC - APPLICATION SPEC - WEIGHT -	NAME BLOCK, FEMALE, 20 PLACE MINIATURE RECTANGULAR, M SERIES
MATERIAL SEE TABLE	FINISH -	CUSTOMER DRAWING	SIZE A2 CAGE CODE 00779 DRAWING NO C=200346 RESTRICTED TO -
		SCALE 4:1	SHEET 1 OF 1 REV W1